

Code EP70UMS – 70cm Under Mount Rangehood



FLUSH UNDERMOUNT INSTALLATION

This model once installed into the cabinet will sit flush which conceals the remainder of the rangehood, providing a clean and modern look for your rangehood.

SOFT TOUCH UNDERMOUNT CONTROLS

This range hood provides a Soft Touch Button system designed for easy usage.

HIGH EXTRACTION CAPACITY

The extraction capacity of 700m³/hr provides strength and power to this stylish range hood.

DISHWASHER SAFE CASSETTE FILTERS

The cassette filters can be placed in a dishwasher for easy cleaning and can easily be removed re-connected from the range hood.

DECIBEL RATING

50-60 dBa

FEATURES

- 430 Grade Stainless Steel Bottom Panel
- 3 Speed Air Function
- High flow 700m³/h Extraction Capacity
- 2 x 40W Downlights (GU10 light)
- Separate Light Function
- 150mm flue diameter
- Motor power 190w

TIPS FOR BETTER USE

- Leave your range hood on for 15 minutes after the cooking of the food to remove all odors, steam etc.
- The dishwasher-safe cassette filters need to be cleaned after approximately 2 months of standard operation
- It is recommended the range hood be installed between 650mm and 750mm above the cook top
- It is also recommended that fumes from the range hood be ducted out into the atmosphere.
- Turn off the range hood before attempting to clean
- **Installation recommended through a qualified authorised installer.**

Air Extraction



ELECTRICAL REQUIREMENT:

Range hood is supplied with 10amp cord & plug.

RECIRCULATING ACCESSORIES

Carbon Filter Code: CF110 (Optional)

*Please NOTE this still needs to be vented through cupboards

RANGEHOOD VENTILATION KITS

RHKE65 – Wall – Eave vent kit

RHKMR65 – Universal metal roof kit, includes flashing

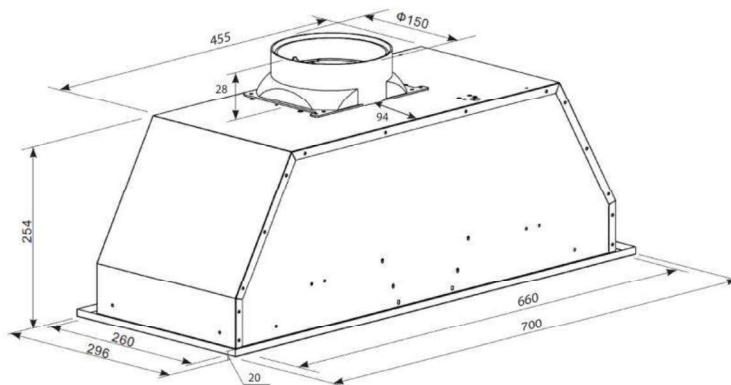
RHKTR65 – Universal tile roof kit, includes flashing

BAFFLE FILTER CLEANING INFORMATION:

Baffle filter: requires cleaning monthly

This will ensure no interruptions with airflow operation.

PRODUCT DIMENSION



bringing european quality to your home