

Arko 125 Integrated Overflow

Collection: Elevate
Former name: Gyalı 125

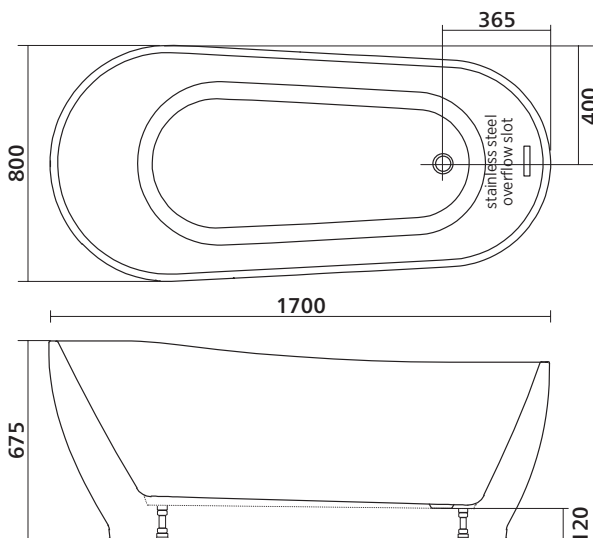


Order Bath and Installation Kit separately.

FlexiWaste Installation Kit includes premium Pop-out Bath Waste.

Colour options:

- Chrome
- Brushed Nickel
- Gunmetal
- Brushed Gold
- White Gloss
- White Matte
- Black Matte



Freestanding bath – 1700 Integrated overflow, stainless steel overflow slot

Features

- Organic form, high back and smooth contours
- Seamless design
- White sanitary grade acrylic, White Gloss finish
- Excellent heat retention properties
- Adjustable support feet
- Suits 40mm waste (not supplied)
- Bath has integrated overflow with polished stainless steel overflow plate

Installation

Refer to installation instructions.

The bath is supplied with four adjustable support feet on the base frame of the bath. Position the bath and use the adjustable feet to level the bath. Leave a 3mm void between the base of the bath and the floor. Use silicone around the base to seal the bath to the floor. Allow a 20mm gap in the silicone seal as a weephole (gap is designed to reveal any plumbing leakage).

Use acetic cured silicone sealant. Do not use epoxy type adhesives.

Order codes

Bath only – Integrated Overflow

191541 Arko 125, 1700 mm

(Old code: SBT-125)


OPTIONAL EXTRA – ORDER SEPARATELY

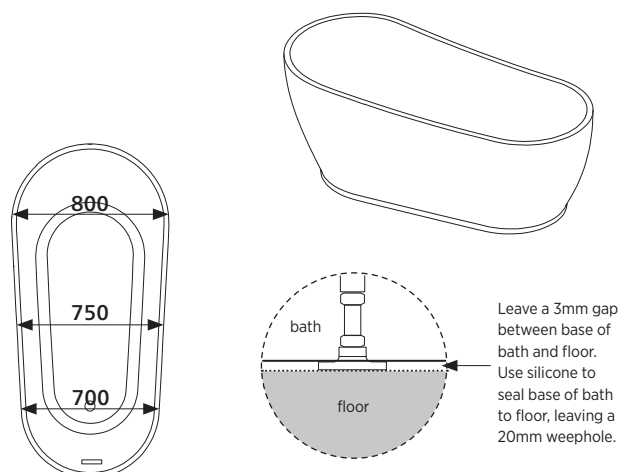
Bath Installation Kit + Pop-out Waste to suit Integrated Overflow

FlexiWaste Installation Kit with premium Pop-out Bath Waste, with colour options, is available as an optional extra.

Note: 'No OF' waste should be used for Integrated Overflow baths.

- | | |
|--------|--|
| 192179 | FlexiWaste Bath Waste Pop-out Kit, no OF, Chrome |
| 192329 | FlexiWaste Bath Waste Pop-out Kit, no OF, Brushed Nickel |
| 192332 | FlexiWaste Bath Waste Pop-out Kit, no OF, Gunmetal |
| 192333 | FlexiWaste Bath Waste Pop-out Kit, no OF, Brushed Gold |
| 192331 | FlexiWaste Bath Waste Pop-out Kit, no OF, White Gloss |
| 192458 | FlexiWaste Bath Waste Pop-out Kit, no OF, White Matte |
| 192330 | FlexiWaste Bath Waste Pop-out Kit, no OF, Black Matte |

 Bath has integrated overflow.



SEIMA

kitchen + laundry + bathroom ware

seima.com.au

Please note

- All measurements are in millimetres.
- Dimensions are nominal and subject to normal manufacturing variations.
- Fixing: Use silicone sealant. Do not use epoxy type adhesives.
- Specifications may vary without notice as part of our continuous improvement practices.
- Clean with a damp cloth. Do not use abrasive cleaners, liquids or pastes.



Scan to view bath on our website