

# MODIA WALL HUNG

## CERAMIC TOILET SUITE



### Wall hung toilet suite - Clean Flush

#### Wall hung pan - details:

- Stylish minimalist design, sits flat against wall
- Clean Flush rimless pan design for an efficient, powerful flush
- White vitreous china
- Easy-clean quick release seat with stainless steel pins, soft closing
- P trap

#### In-wall cistern with frame - details:

- Hidden cistern activated through a premium pneumatic system connected to the flush plate buttons
- Fully insulated with anti-condensation foam to prevent moisture escape
- Easy to install and service through the flush plate
- WELS 4 star 4.5/3L water saving flush

#### Order codes

##### TOILET SUITE — Standard wall installation — C200 CISTERN

- 191845 Modia WH pan, C200 in-wall cistern, FLAT seat
- 191966 Modia WH pan, C200 in-wall cistern, SLIM seat

##### TOILET SUITE — Nib wall installation — C201 CISTERN

- 191911 Modia WH pan, FLAT seat, C201 in-wall cistern (nib wall)
- 191965 Modia WH pan, SLIM seat, C201 in-wall cistern (nib wall)

##### TOILET PAN and seat only (NO CISTERN)

- 191166 Modia WH pan and FLAT seat
- 191964 Modia WH pan and SLIM seat

Order flush buttons separately.

#### Product details

PAN	Wall faced with rimless Clean Flush pan design.
MATERIAL	White vitreous china.
TRAPS	Suitable for P trap installations.
SEAT	Quick release seat with stainless steel hinges, soft closing.
WELS	4 star rating 4.5/3 litre water saving flush.
CISTERN	Wall hung pan suits in-wall cistern with frame.

#### TOILET SEAT OPTIONS

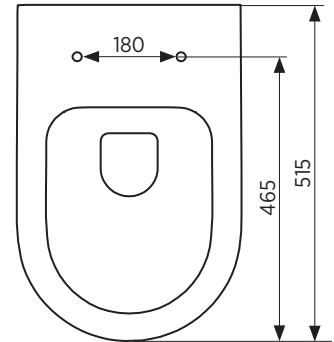
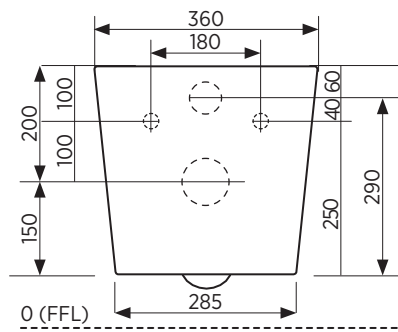
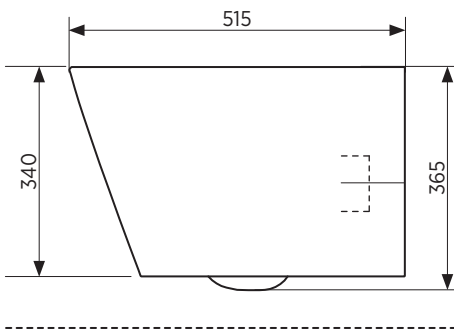



##### SLIM SEAT (20mm lid)

- Premium quality
- Easy to clean, anti-scratch
- Rigid, ceramic-like surface
- Made from Thermoset (UF)

##### FLAT SEAT

- Premium quality
- Easy to clean, anti-scratch
- Rigid, ceramic-like surface
- Made from Thermoset (UF)



 Rimless Clean Flush pan - for an efficient, powerful flush.

# SEIMA

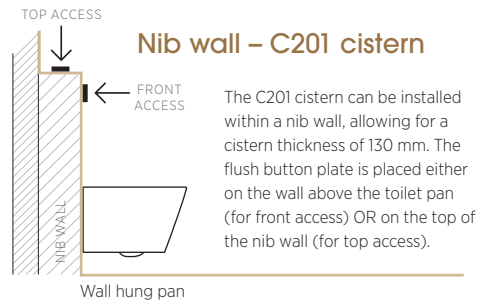
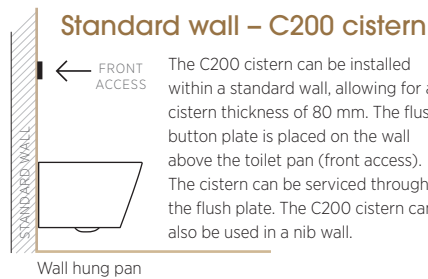
bathroom | kitchen | laundry

seima.com.au

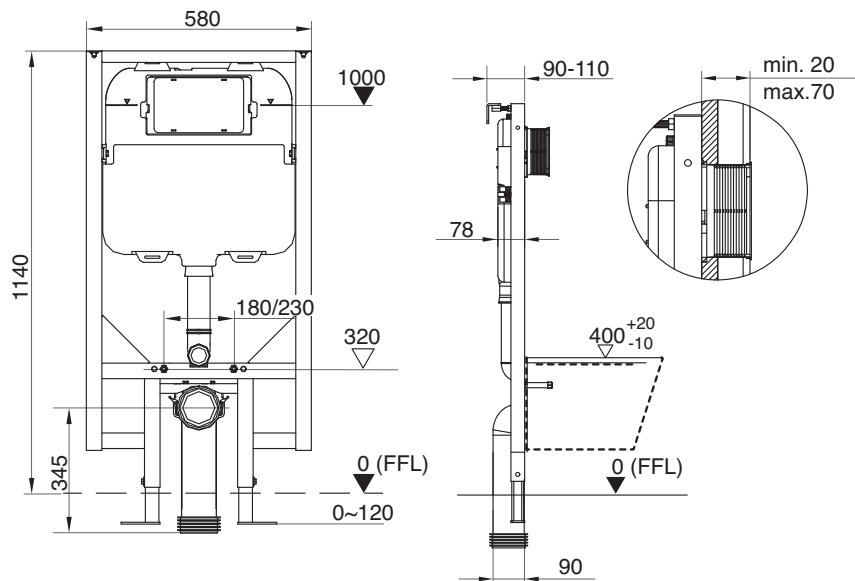
#### Please note

- Installation shall be in accordance with AS/NZS3500.
- All measurements are in millimetres. Height dimensions are to base of pan. Make allowance for bedding.
- Bedding: Pan may be bedded with cement base or using silicone sealant. Fix pan to floor using a sand cement mixture of 3:1 to a depth of 60mm. Do not use lime or fast-drying cement.
- Bracket fixing: The pan should be bedded with silicone sealant and fixed with the brackets supplied. Do NOT use epoxy type adhesives.
- Dimensions are nominal and subject to normal ceramic manufacturing variations.
- Specifications may vary without notice as part of our continuous improvement practices.
- Clean with a damp cloth. Do not use abrasive cleaners, liquids or pastes.

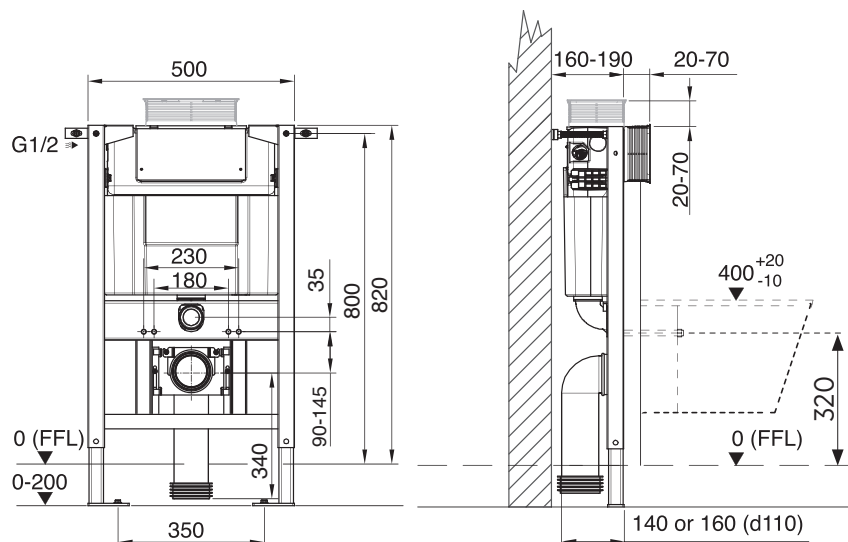
## Installation types for WALL HUNG TOILETS



## MODIA WALL HUNG pan + C200 IN-WALL SLIM cistern



## MODIA WALL HUNG pan + C201 IN-WALL UNDERCOUNTER cistern



# SEIMA

bathroom | kitchen | laundry

### Please note

- Installation shall be in accordance with AS/NZS3500.
- All measurements are in millimetres. Height dimensions are to base of pan. Make allowance for bedding.
- Bedding: Pan may be bedded with cement base or using silicone sealant. Fix pan to floor using a sand cement mixture of 3:1 to a depth of 60mm. Do not use lime or fast-drying cement.
- Bracket fixing: The pan should be bedded with silicone sealant and fixed with the brackets supplied. Do NOT use epoxy type adhesives.
- Dimensions are nominal and subject to normal ceramic manufacturing variations.
- Specifications may vary without notice as part of our continuous improvement practices.
- Clean with a damp cloth. Do not use abrasive cleaners, liquids or pastes.