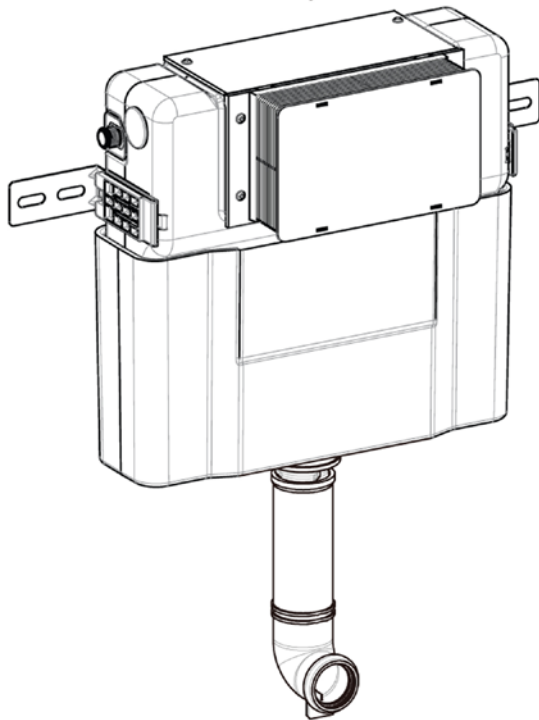


INWALL C101 CISTERN

SUITS FLOOR MOUNT TOILET PAN / UNDERCOUNTER CISTERN FOR NIB WALL

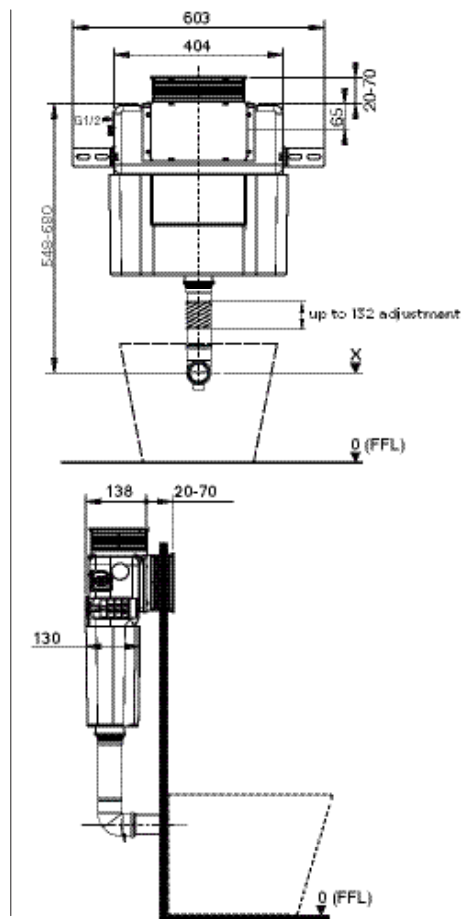
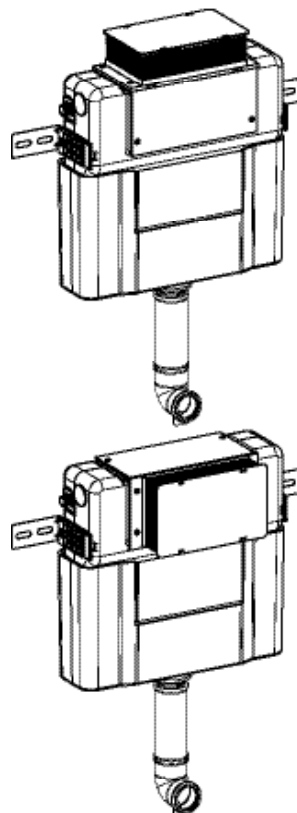
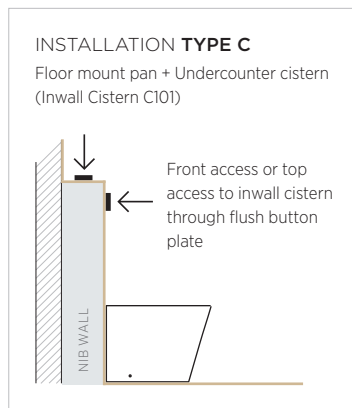


Undercounter in-wall cistern to suit floor mount pan

This in-wall cistern is part of the Seima InWall toilet system. The cistern is activated through pneumatic flush buttons.

- Suits floor mount toilet pan.
- Undercounter cistern design for installation in a nib wall.
- Front access or top access to cistern through flush plate.
- Fully insulated by anti-condensation foam to prevent moisture escape.
- Easy to install.
- Innovative design allows the cistern to be serviced through the flush plate.

ORDER CODE	191807	Inwall C101 cistern	[old code: STO-C101]
ACCESS	Front access or top access through flush plate.		
WELS	4 star rating 4.5/3 litre water saving flush (Reg 04739).		
PAN	Suits floor mount pan.		
BUTTONS	Compatible with the full range of Seima flush buttons.		
INSTALLATION	Refer to installation instructions for details.		



SEIMA

bathroom | kitchen | laundry

seima.com.au

Please note

- Installation shall be in accordance with AS/NZS3500.
- All measurements are in millimetres. Height dimensions are to base of pan. Make allowance for bedding.
- Bedding: Pan may be bedded with cement base or using silicone sealant. Fix pan to floor using a sand cement mixture of 3:1 to a depth of 60mm. Do not use lime or fast-drying cement.
- Bracket fixing: The pan should be bedded with silicone sealant and fixed with the brackets supplied. Do NOT use epoxy type adhesives.
- Dimensions are nominal and subject to normal ceramic manufacturing variations.
- Specifications may vary without notice as part of our continuous improvement practices.
- Clean with a damp cloth. Do not use abrasive cleaners, liquids or pastes.

DS-Toilet-InwallC101 / v 4.0