

# TETRA SKS-T1150



Abovemount version with tap platform



Undermount version

## Blade 'no splash' sink innovation

Seima's Blade double bowl sinks have an ultra-slim 2mm divider between bowls, allowing you to move a running tap from bowl to bowl without splashing. Our Blade sink design was a finalist in the HIA Industry Innovation Awards in 2016. The Blade is a registered design protected under Designs Act 2003.

## Tetra - sink art. Bold, minimalist aesthetic. Handcrafted excellence. Undermount or abovemount.

Create an atmosphere of design excellence with a Tetra handcrafted stainless steel sink. Inspired by a strong reductive aesthetic, the Tetra series perfectly complements minimalist and contemporary architectural design. Superior edge finish means that Tetra sinks are suitable for abovemount or undermount installation.

- minimalist bold design, refined industrial aesthetic
- beautiful lines and geometries
- highest quality individually handcrafted
- designed for abovemount or undermount installation, superior edge finish
- 1.2mm thick premium 304 grade stainless steel
- sleek brushed satin finish
- deep, large capacity bowls
- easy to clean corners, 10mm radii
- sound deadening
- distinctive square basket waste

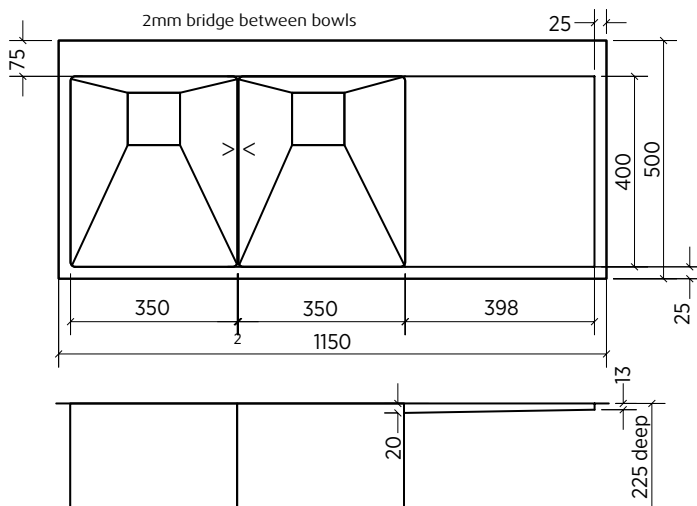
**SUMMARY** Two bowls, super-thin 2mm divider between bowls  
Drainer on right or left, abovemount or undermount

**ORDER CODE** **ABOVEMOUNT VERSION — WITH TAP PLATFORM**  
 SKS-T1150-RD Drainer on right, 1 taphole  
 SKS-T1150-RD-OT Drainer on right, no taphole  
 SKS-T1150-LD Drainer on left, 1 taphole  
 SKS-T1150-LD-OT Drainer on left, no taphole

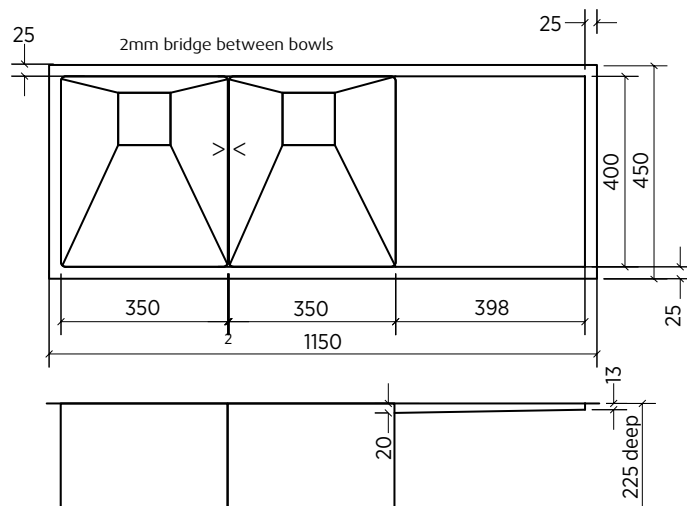
**UNDERMOUNT VERSION**  
 SKS-T1150-RD-U undermount, drainer on right  
 SKS-T1150-LD-U undermount, drainer on left

**WASTE** Square basket wastes  
**BOWL SIZE** Each bowl 350 x 400 mm, 225 mm deep  
**CAPACITY** 33 litres each bowl  
**ACCESSORIES** A variety of accessories is available.

### Abovemount version has tap platform



### Undermount version has 25mm surround on all sides



 Blade 'no splash' design - 2mm ultra-thin divider between bowls

# SEIMA

bathroom | kitchen | laundry

seima.com.au

#### Please note

- All measurements are in millimetres.
- Always use the actual product to verify cutout.
- Specifications may vary without notice as part of our continuous improvement practices.

DS-SKS-T1150 | v 4.0