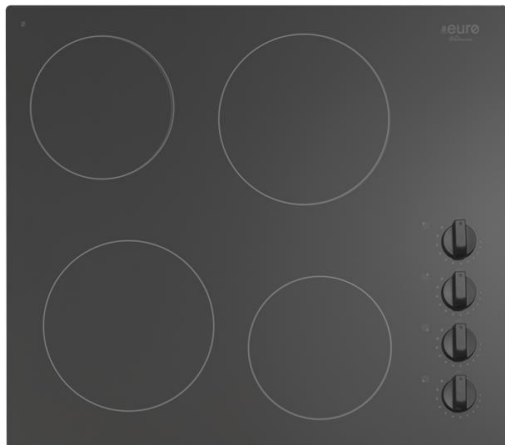


# 60cm Ceran Electric Cooktop

## COOKTOP

PRODUCT CODE: **ECT600CB**



### FEATURES:

- + Smooth Ceran glass electric cooktop
- + 4 rapid burner elements
- + Side knob controls
- + Variable temperature control
- + Residual heat indicator
- + Clean square edge design

### SMOOTH CERAN GLASS COOKTOP

A high grade ceran glass is used for this cooktop to ensure easy cleaning of the smooth ceran surface.

### 4 RAPID ELEMENTS

This cooktop is fitted with 4 hi-lite elements to ensure rapid heat up.

### VARIABLE TEMPERATURE CONTROL

With the option of variable temperature setting for each elements, this cooktop provides flexibility in your cooking to ensure you cook with the temperature that is perfect for you.

### SPECIFICATIONS:

<b>Electrical Requirements</b>	25 amp dedicated circuit from cooktop to main switchboard
<b>Voltage</b>	220V-240V
<b>Frequency</b>	50Hz
<b>Total Rated Load:</b>	6000W
<b>Heating Elements:</b>	
- Front Left Zone	1800W
- Rear Left Zone	1200W
- Rear Right Zone	1800W
- Front Right Zone	1200W
<b>Weight</b>	11.3kg (Gross) / 9.0kg (Net)
<b>Product Dimensions</b>	W590mm x D520mm
<b>Barcode</b>	9347726002064

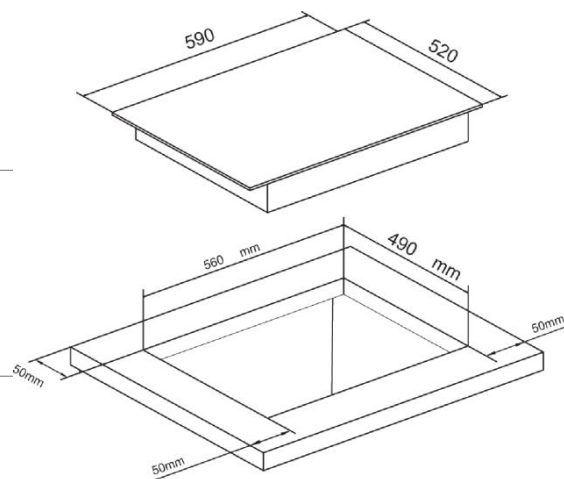


eurocooking

**3**  
YEARS

Warranty

### INSTALLATION DIAGRAM



### CLEANING AND MAINTENANCE

- Cleaning operations must only be carried out when the appliance is completely cool.
- Clean the appliance regularly, preferably after each use
- Abrasive cleaners or sharp objects will damage the appliance surface; you should clean it using water and a little washing up liquid

### SAFETY INFORMATION

- The heating and cooking surfaces of the appliances become hot when in use, take all due precautions.
- Unstable pans should not be used on the appliances as they can cause an accident by tipping or spillage.
- Never leave the appliance unattended when cooking.
- Please refer to the manual for more information